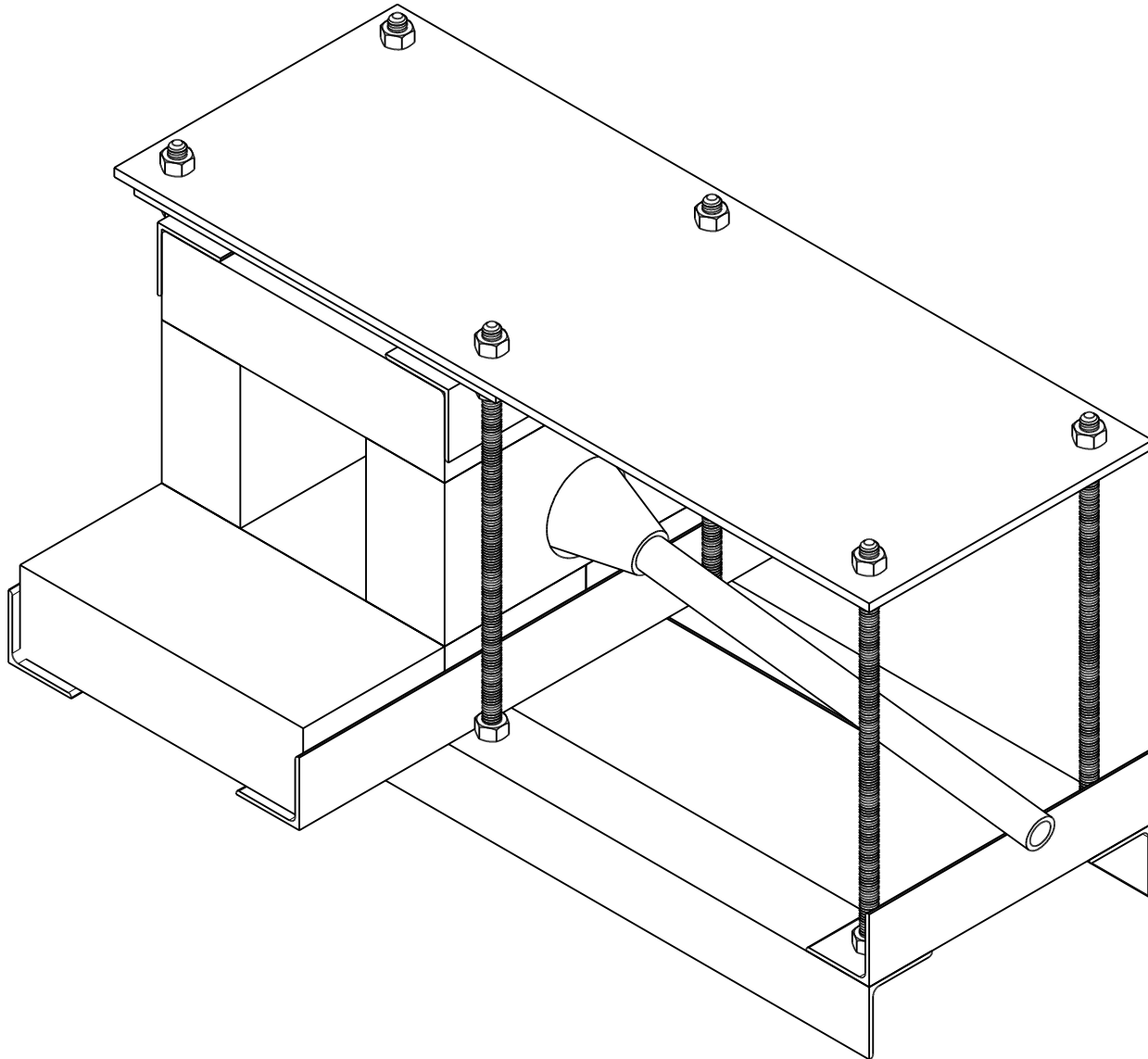
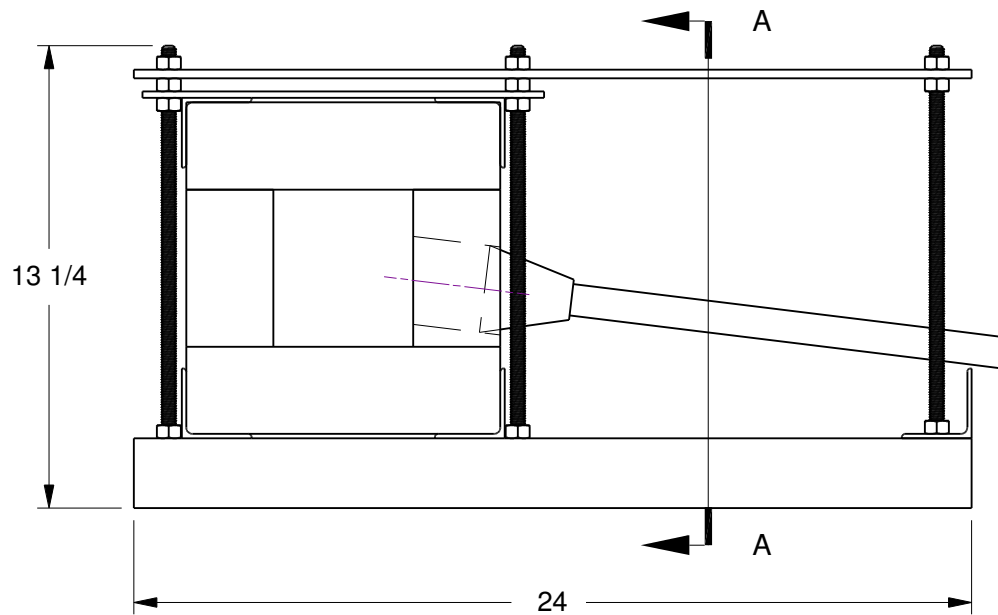
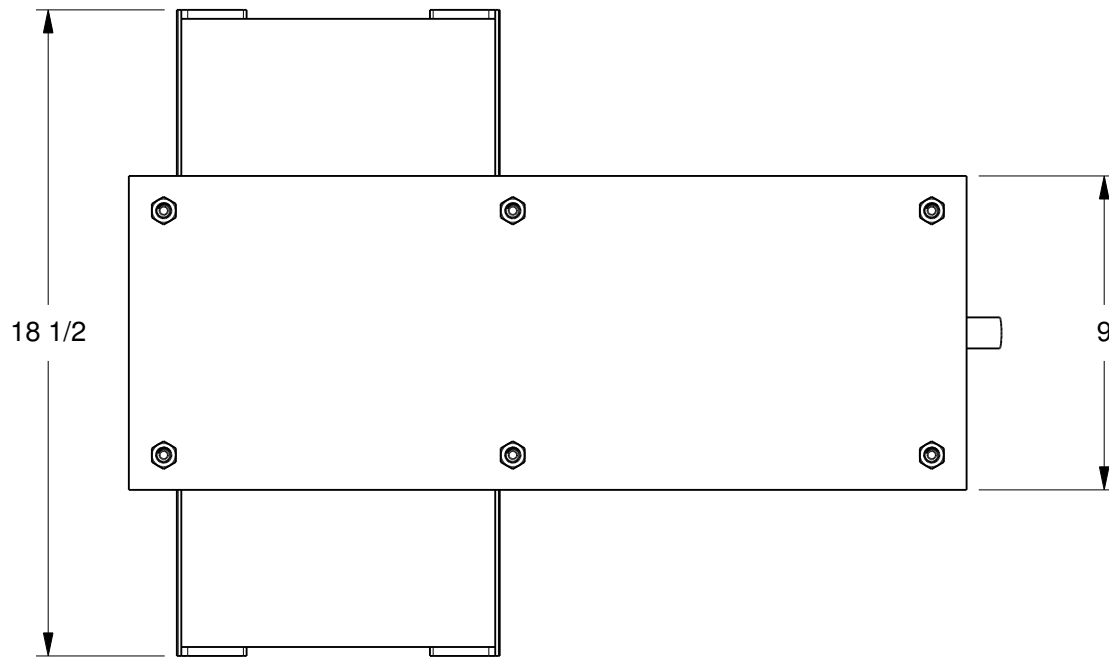


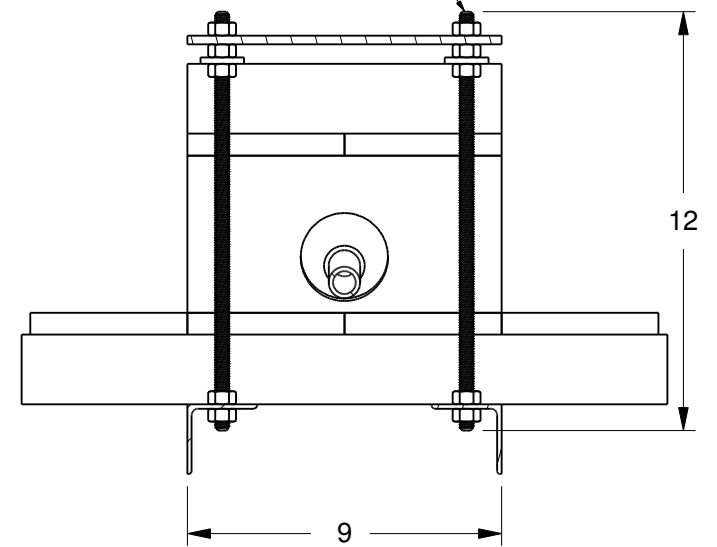


# Essential Craftsman Propane Forge

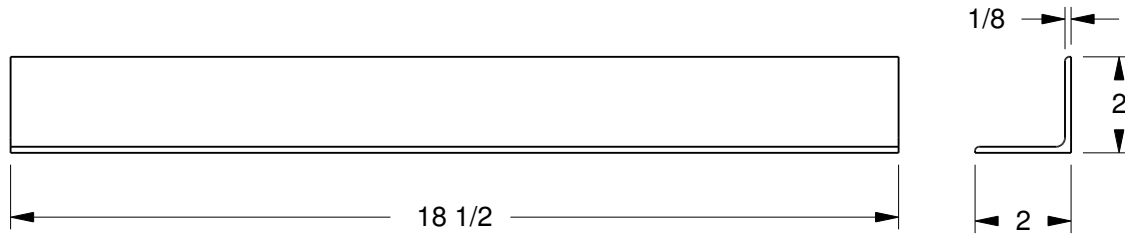




7/16 - 14 x 12 All Thread



Section A-A

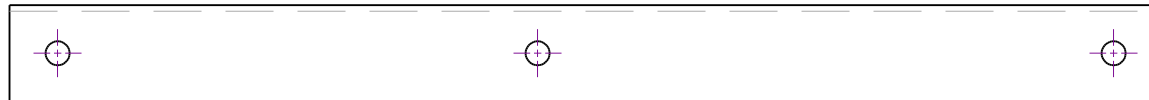


### Fire Brick/Hearth Support

Angle 2 x 2 x 1/8 x 18 1/2

2 required

(Optionally 9 long with no hearth)

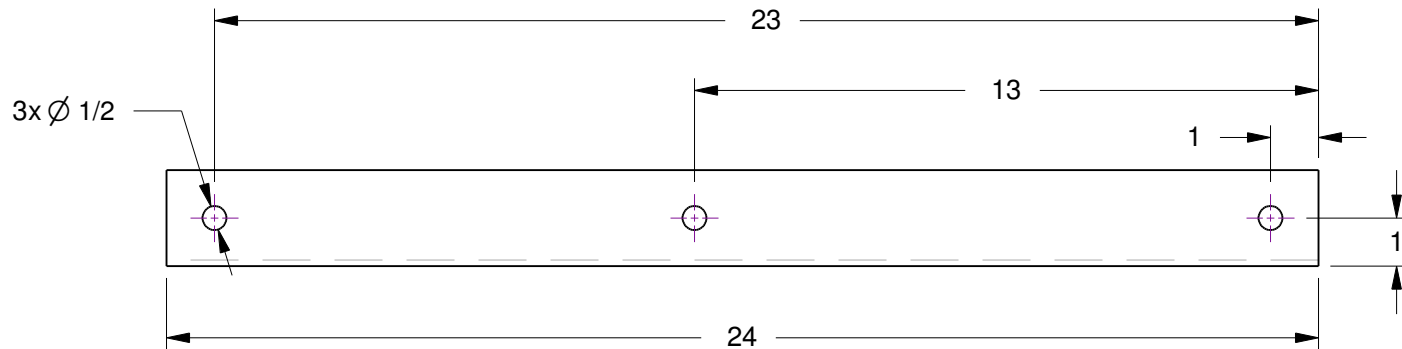


### Side B

Angle 2 x 2 x 1/8 x 24

1 required

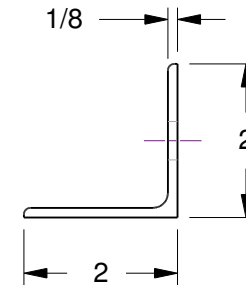
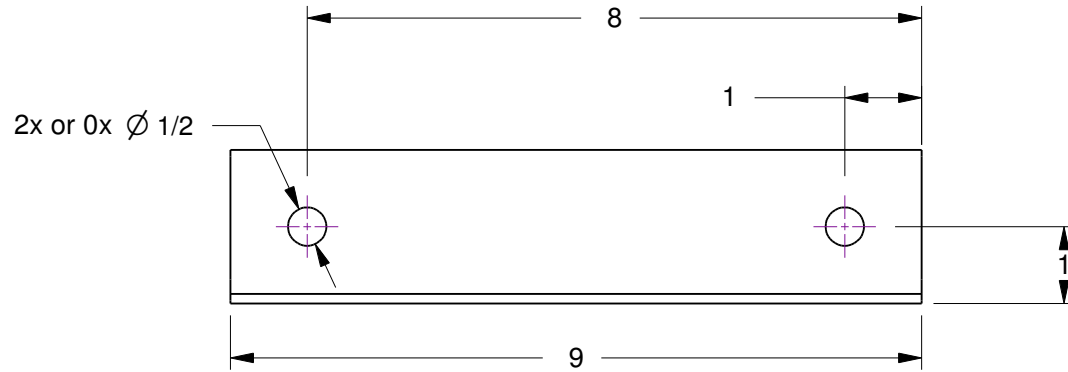
(Mirror of Side A)



### Side A

Angle 2 x 2 x 1/8 x 24

1 required

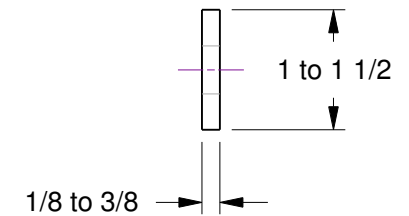
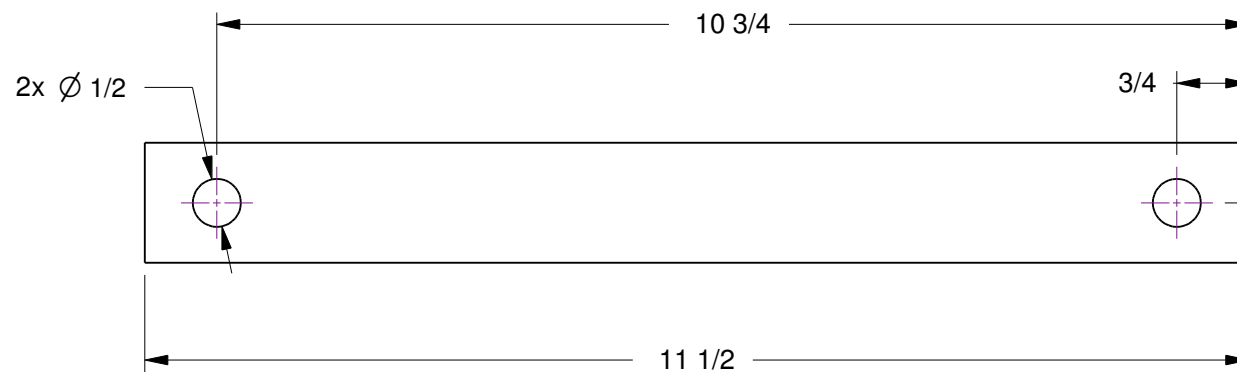


### Fire Brick Top/End Brace

Angle 2 x 2 x 1/8 x 9

3 Required

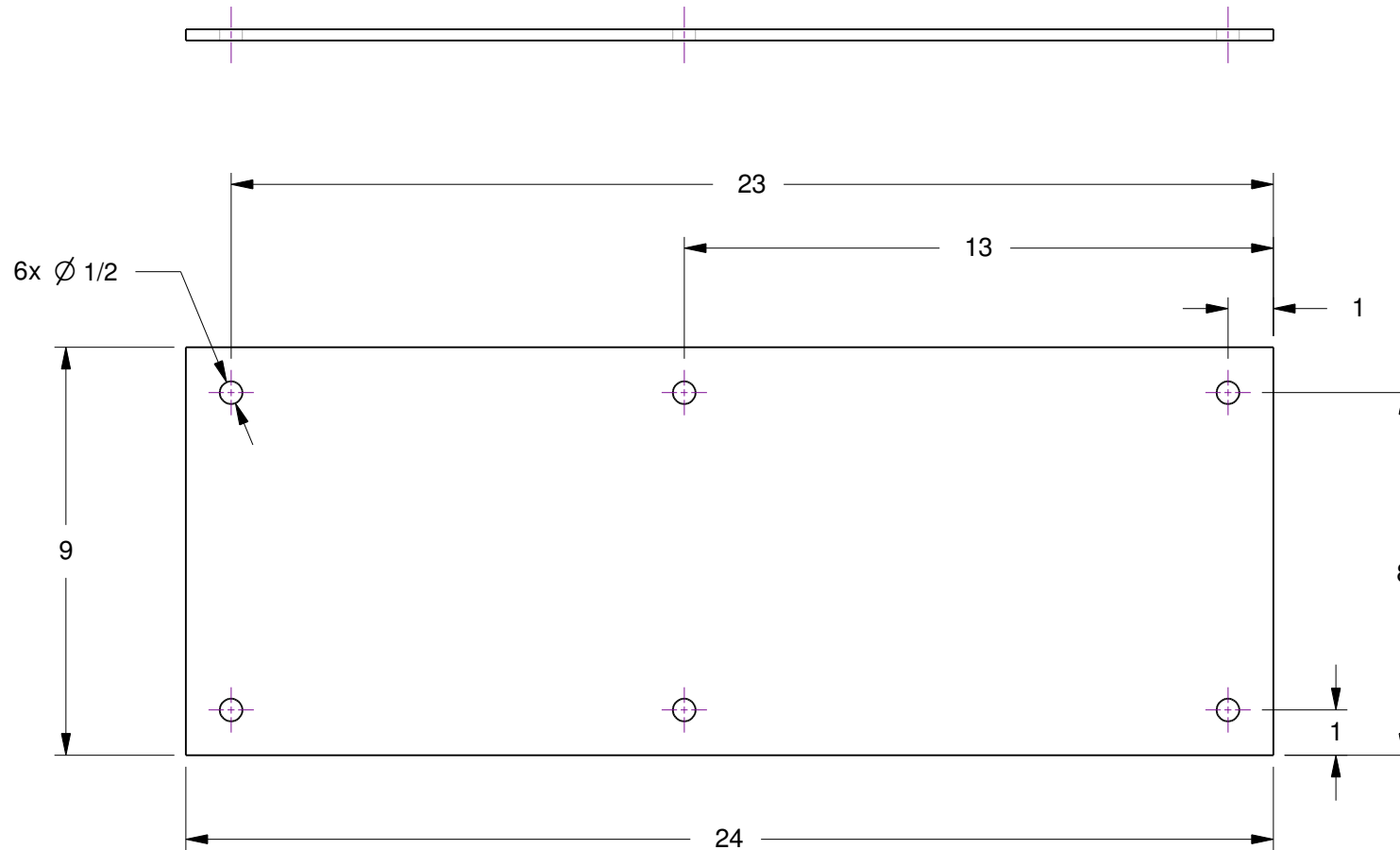
Holes only needed in 1 of the 3



### Fire Brick Hold Down

Flat Bar 1 to 1 1/2 x 1/8 to 3/8 Thick x 11 1/2

2 Required

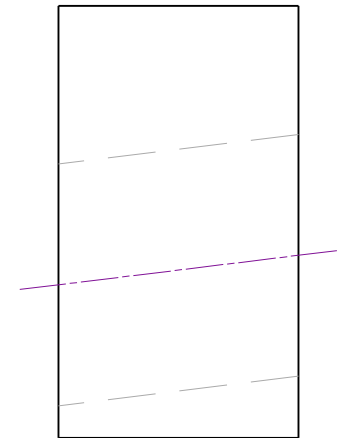
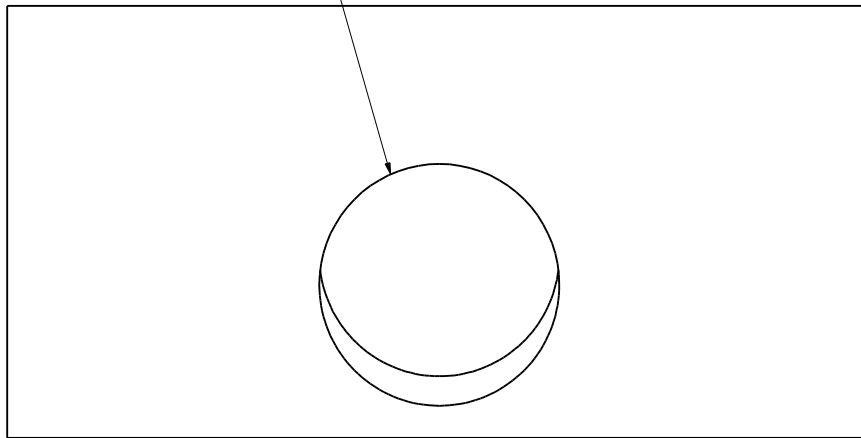


### Top Plate

Tread Plate/Expanded Metal/Sheet Metal/Anything Metal  
1 Optional



Cut hole to fit propane burner



**Fire Brick**  
9 x 4 1/2 x 2 1/2  
6 Required, 2 Optional  
(hole in just 1 brick)